

## TECHNICAL DATA SHEET Trim2Oil Rosin Press



### Features and Benefits

- 1) Revolutionary Closed Pressing Chamber.
- 2) Advanced Coextraction Technology.
- 3) Proprietary Inline Decarboxylation.
- 4) Elimination of Bag Slippage and Blowout.
- 5) Minimum Loss of Terpenes and Light Ends.
- 6) Automated Control of Temperature, Pressure, and Time (TPT).
- 7) Real time and historical operating data remotely accessible via PC and mobile devices.
- 8) Minimal Utility Requirements.
- 9) Automated process and safety control algorithms ensure consistent and safe operation.
- 10) Comprehensive Sales and Technical Support.



## General

Rosin Pressing of cannabis/hemp flower, trim, kief, hash and other related pressing activities.

## Product Description

Trim2Oil offers its rosin presses with a 3-inch, 4.25-inch, 6-inch, and 8.5-inch pressing chamber. The innovative closed pressing chamber design is central to obtaining maximum efficiency, perseveration of terpenes, and enhanced quality of the rosin. Having a closed pressing chamber makes possible coextraction utilizing olive oil or other suitable oils (with or without added terpenes and aromatics) where the end product is an emollient. The coextractant is automatically injected into the closed pressing chamber in a measured amount during the pressing cycle resulting in a homogenized rosin / coextractant solution. Isolating the rosin press process within the closed pressing chamber reduces the exposure of the rosin, terpenes, and light ends to oxygen and the general atmosphere, reducing loss and oxidation. Having a closed pressing chamber eliminates rosin bag slippage and blowout.

We offer amazing sales and after-sales support to answer all your questions during and after the sales process. Additionally, we provide dedicated technical support during business hours (8am to 5pm CST) to assist you with any operational questions or concerns. You can also sign up for subscription based enhanced 24/7 remote operating, maintenance, and technical support giving you peace of mind and uninterrupted assistance whenever you need it. Of course, you can always request one of our highly trained service technicians to come to your facility at a very reasonable cost for all your support needs.

## Operating Parameters

Minimum Process Temp.:	100F [38C]
Maximum Process Temp.:	250F [121C]
Minimum Process Pressure:	100 psig [6.8 bar]
Maximum Process Pressure:	1,200 psig [82.7 bar]

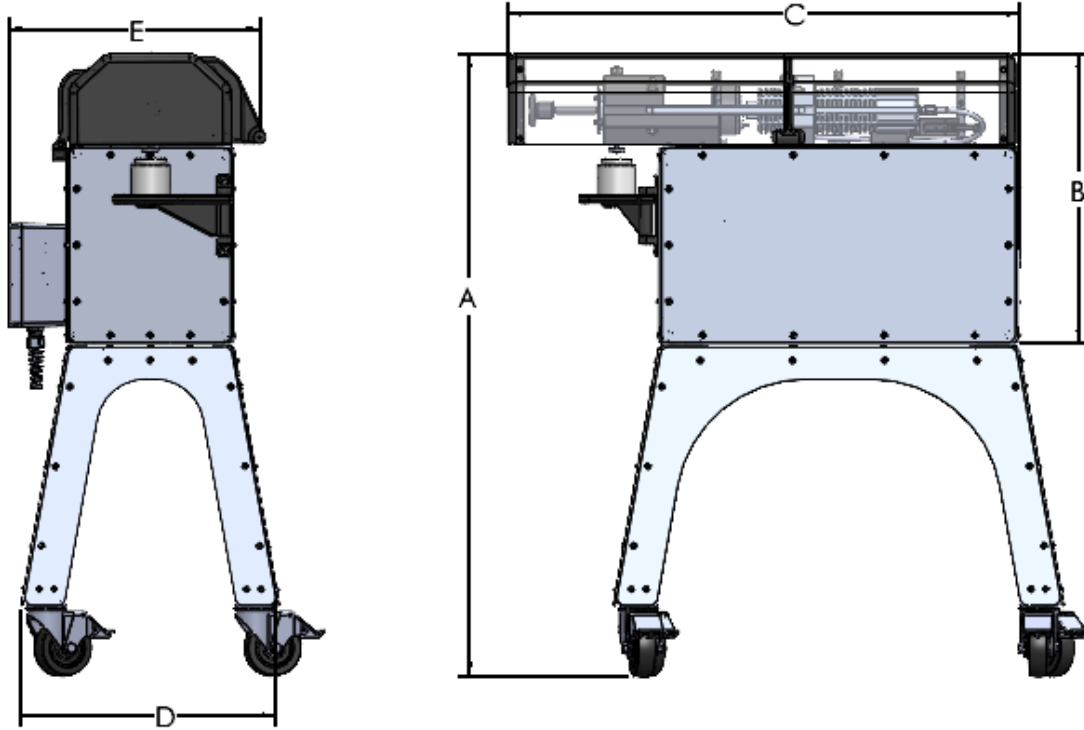
## Electrical Specifications

Supply:	115v/10a/60hz/1ph
Total Motor Hp:	0.5 HP [0.4 kW]
Area Classification:	Ordinary

**\*\*Other voltages / frequencies optionally available\*\***

Trim2Oil offers a comprehensive line of processing equipment including rosin presses, high speed centrifugal screen bowl extractors, single and dual rotor millers, inline decarboxylation units, falling film evaporators, and process controls to tie it all together.

Weight and Dimensions



Model	A		B		C		D		E		Weight	
	inch	mm	inch	mm	inch	mm	inch	mm	inch	mm	lb	kg
TTO-R1	37.9	962.7	17.8	452.1	31.2	792.5	15.4	391.2	15.3	388.6	48.5	22.0
TTO-R2	39.4	1000.8	19.3	490.2	32.7	830.6	16.9	429.3	16.8	426.7	54.7	24.8
TTO-R3	40.9	1038.9	20.8	528.3	34.2	868.7	18.4	467.4	18.3	464.8	63.3	28.7
TTO-R4	42.9	1089.7	22.8	579.1	36.2	919.5	20.4	518.2	20.3	515.6	75.5	34.2

Trim2Oil's terms and conditions apply to the sale of this product. The design and specifications of Trim2Oil's standard products and component parts described in its brochures, sales literature, website, technical data sheets, ect. may be discounted or altered without notice. Additionally, Trim2Oil, believes the information in its brochures, sales literature, website, technical data sheets, ect. to be accurate and reliable but assumes no liability for errors or omissions.